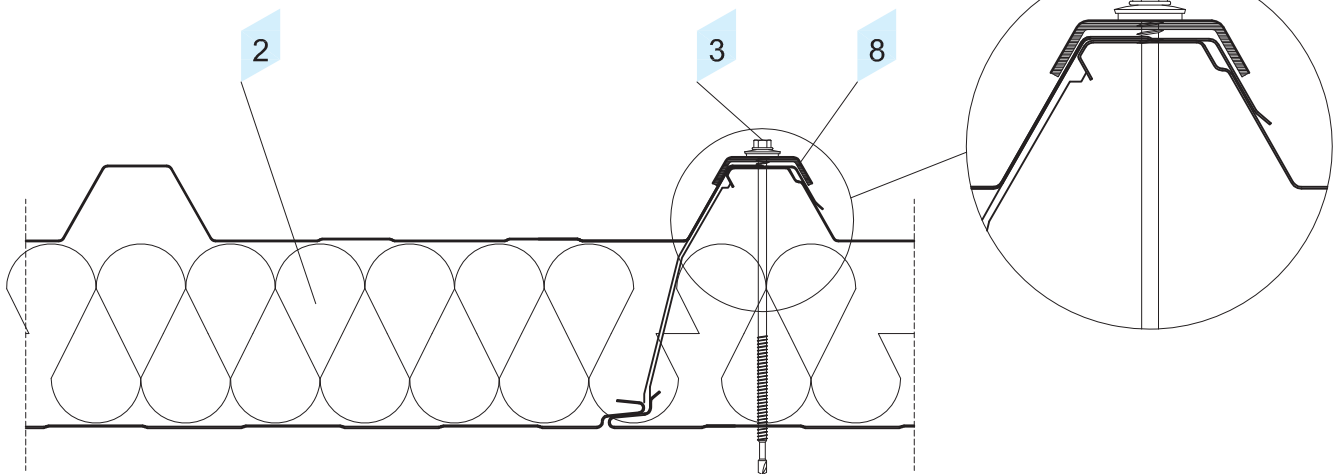


Cross-section



3.1 Roof panel connection

Position	Item
1	Construction element
2	ARPANEL D roof panel
3	Fixing screw
4	Self-drilling screw
5	Sealing tape
6	Sealing tape
7	Butyl sealing tape
8	Washer (calotte)