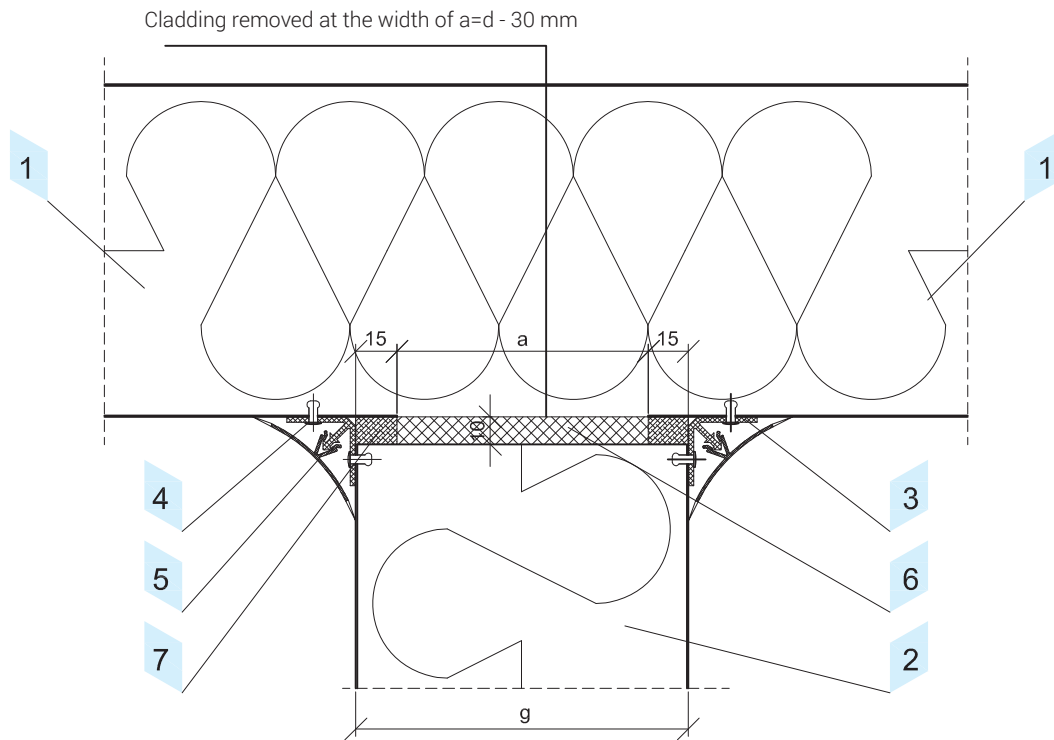
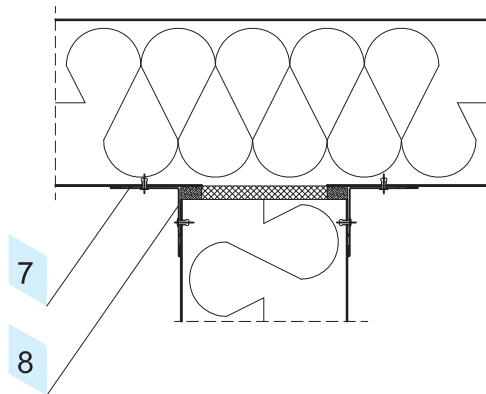


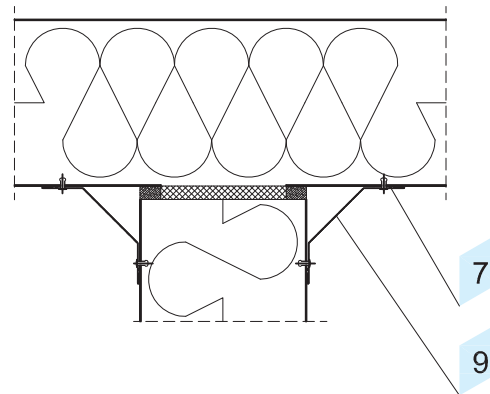
VARIANT I



VARIANT II



VARIANT III



4.11 Jointing the partition wall with the internal wall detail

Position	Item
1	ARPANEL CH cooling room panel
2	ARPANEL CH cooling room panel
3	PCV fastening profile
4	Tight rivet
5	PCV corner profile
6	Mounting polyethylene foam
7	Permanently plastic mass
8	Internal corner flashing
9	Internal corner flashing